



Volume 9, No. 1

You had subscribed to *Tingue Topics* at our Web site. It's only three times per year but if you need to leave the list, scroll to the bottom.

Now, see what's hot at the laundry.

*Ty Acton, Editor*

### Meet Team Tingue!



Stop by and see Ty at

## Generations of Innovation for Laundries Worldwide

### Free Talley Machinery Plant Tour Event You're Invited!

See flatwork ironers, lift tables and other laundry machinery being disassembled and put back together piece by piece. See new parts produced on our advanced, CNC-machinery and enjoy lunching and learning at the Talley Machinery Educational Forum and Plant Tour.



Join your hosts Randy Vansparrentak of Talley Machinery, J.R. Ryan of TBR Associates and John Hurst and Todd Nadler of Tingue, Brown & Co. on Wednesday, April 10, 2013 from 8:45 a.m. - 3:45 p.m. at Talley Machinery, Greensboro, NC.

The plant tour includes free access to these informative, insightful presentations from professional laundry industry speakers. See:

- A cost case study on solar panel installations plus a "live look-in" at the rooftop, as featured in Textile Services, presented by John Hurst, CFO – The Tingue Family of Companies
- 10 Keys to Finish Quality, presented by Tingue, Brown & Co.
- How Meese Orbitron Dunne Co. and Tingue, Brown & Co. streamlined operations by implementing Lean



CSCNetwork Annual  
Convention booth #423.

Call Your Tingue Rep!  
[Click here.](#)

### Corner Quotables

"Things may come to those who wait, but only the things left by those who hustle."  
~ Abraham Lincoln

"Labor to keep alive in your breast that little spark of celestial fire, called conscience."  
~ George Washington

"All the great teachers make it

Manufacturing, presented by Todd Nadler, Director of Corporate Operations & Technology – The Tingue Family of Companies

- How commercial laundries are improving their people, processes and profits by implementing Lean Six Sigma, presented by J.R. Ryan, President – TBR Associates
- And more!

We hope to see you there. Please RSVP by contacting Stacey Carpenter, [scarpenter@talleyparts.com](mailto:scarpenter@talleyparts.com) / 800-222-9954.

[Map to Talley Machinery](#)

---

## New, Quick Guide to Ironer Cleaning and Waxing

Many of our veteran friends in the industry consider ironer cleaning and waxing at least as much art as science. While each ironer may require some operational artistry to squeeze every last bit of productive uptime from its rolls, we've focused on the science that applies to nearly every ironer with our new Clean 'n Wax procedures.



In English and Spanish, these free written procedures provide step by step instructions on –

- when to shut down the vacuum
- how to apply ironer wax, how much, how often
- safely feeding the wax and cleaning cloths, safe storage
- and more

The entire shift is covered from the start through three separate breaks for lubrication up until the start of the next shift.

[Click here to get the Clean 'n Wax procedures as free pdfs.](#)

Call your Tingue rep for help with the artistic fine tuning. [Get](#)

about their students. Our dad told us that coaches are teachers first."

~ Super Bowl Champion John Harbaugh

"The mere process of growing old together will make the slightest acquaintance seem a bosom friend."

~ NYC Mayor Edward Koch

Enjoy a favorite quote? Share it with Tingue Topics. Send it to [tacton@tingue.com](mailto:tacton@tingue.com).

[phone numbers here.](#)

## New on TalleyMachinery.com Free Ironer Manual Library Now Online

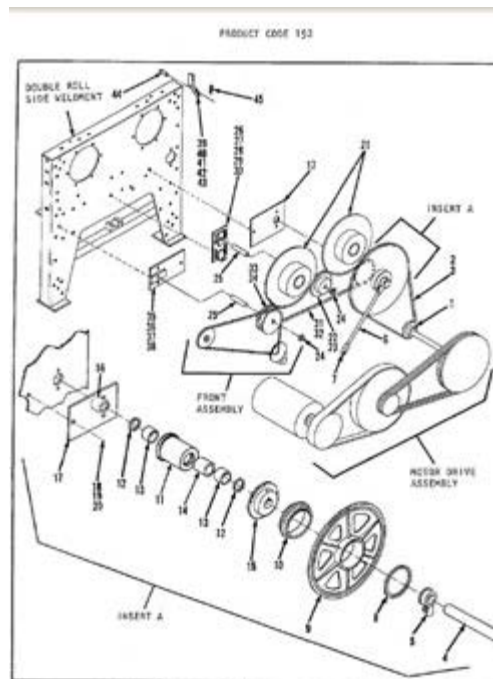


Figure 5-4. The Roll Drive and Connecting Frame

6-12

We typically recommend keeping the flatwork ironer parts and instruction manuals attached to each ironer. But we also know these manuals like to get separated from their ironers so we've created an online library with pdf versions of actual flatwork ironer parts and instruction manuals.

So far, we have the original, illustrated parts

and operator manuals for the American Laundry Machinery, Inc. Hypro, Sylon and Super Sylon models.

[Click here to download for free.](#)

Come to the Talley Machinery Educational Forum and Plant Tour - contact Stacey Carpenter at [scarpenter@talleyparts.com](mailto:scarpenter@talleyparts.com), 800-222-9954.



Generations of Innovation for Laundries Worldwide

[www.tingue.com](http://www.tingue.com)

Parts



[www.TalleyMachinery.com](http://www.TalleyMachinery.com)

Carts



[www.MODLaundry.com](http://www.MODLaundry.com)

Smarts



[www.TingueBrownCo.com](http://www.TingueBrownCo.com)

Tingue Topics is published by Tingue, 535 N. Midland Ave., Saddle Brook, NJ. Copyright 2013.  
May not be reprinted without permission. Feel free to forward to friends and colleagues.  
Newsletter problem? Email Paul Entin at [pentin@tingue.com](mailto:pentin@tingue.com).